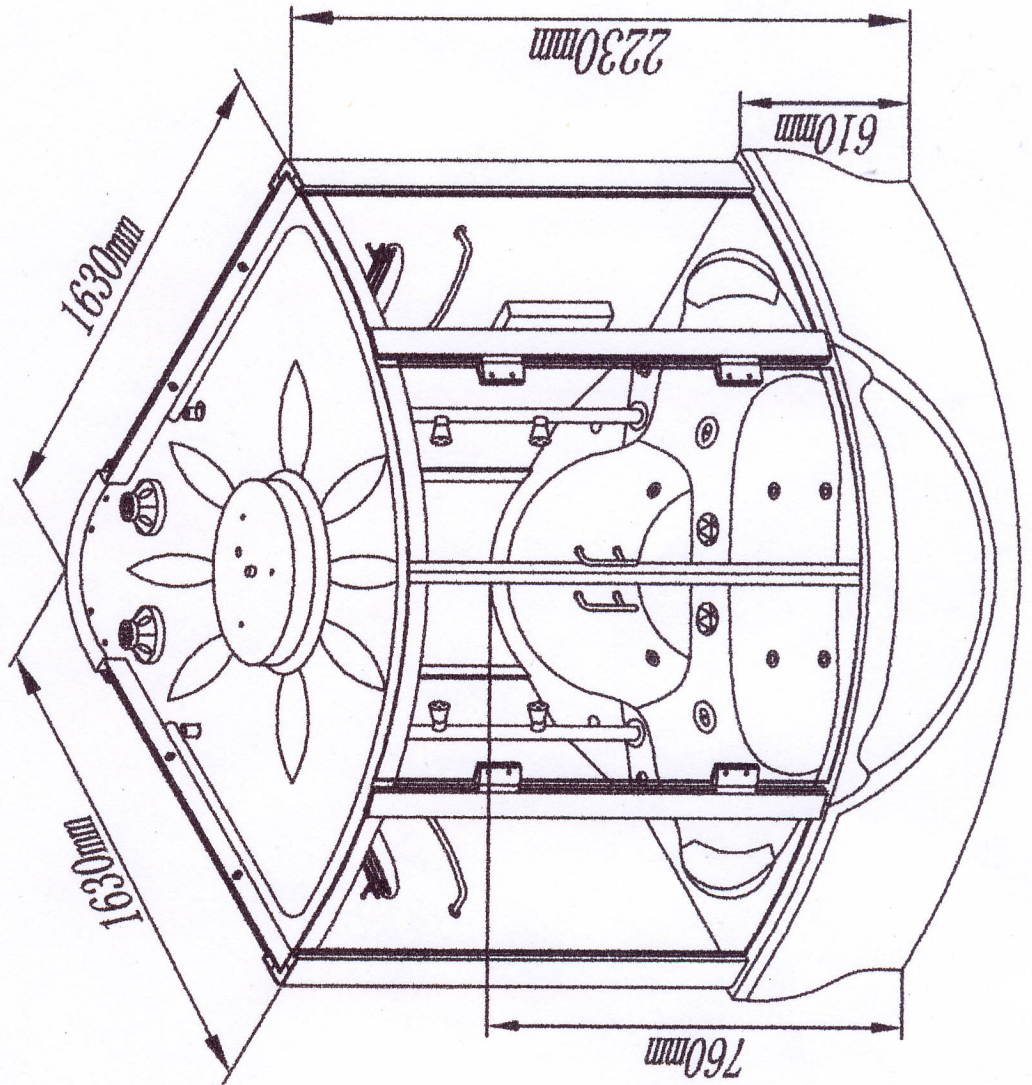


G 160

1630mm x 1630mm x 2230mm



160 water and power sketch map

