

ONE instructions for installation

The installation of steam room G250 involves the ABC of water, electricity, pipeline joining and the locksmith, it must be installed and debugged by qualified electrician and person trained to correlated with. Before installing it, please read the manual in detail, and install it according to the installation steps.

Conditions that must possess before installation

● socket, electric wire-----220/50HZ, single-phase, three-line system, Specified current is 16A and the above(over 3000W, ~110v/30A), the height to the ground H=about 1800mm. There must be earth wire of the socket.

● Water pipe---- Two DN15 zinc-plated tubes for cold and hot water, out of wall install the stop valve. The height to the ground H=about 1000mm, two tubes are about 150mm apart. drainage hole of Φ 60mm should lies in the radius of 300mm as the center showed in the illustration (as fig.1)

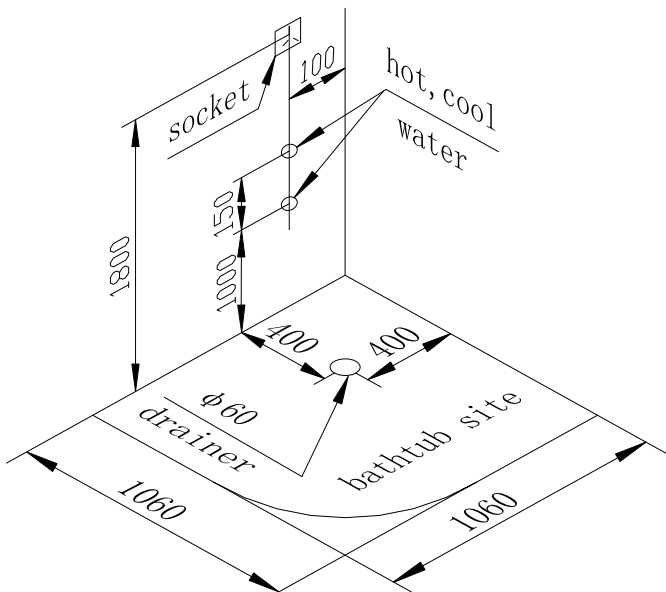


fig. 1

TWO、 installation steps of steam room G250

1、 Adjust plastic-covered foot -----move the basin to a suitable position, adjust the plastic-covered foot at the bottom, make it contact the ground. As fig.2.

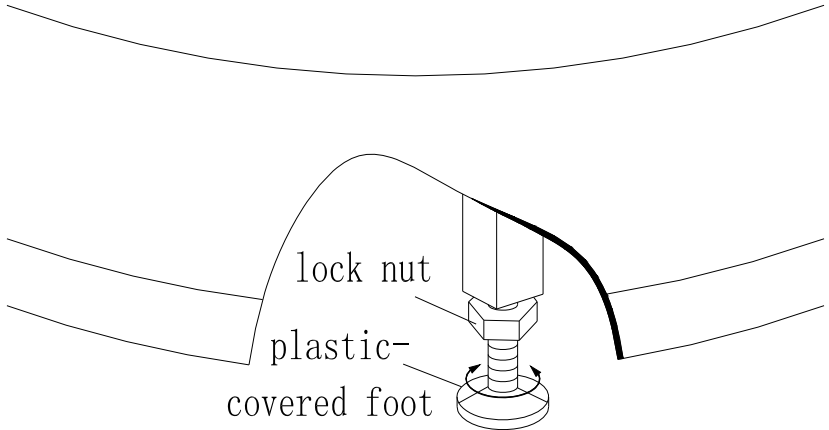


Fig. 2

2、 Leveling-----Put a level gauge on the basin (as fig. 3 show), measure the basin whether it is level. If not, please loosen the locknut of the fang bolt, level the basin by adjusting the plastic-covered foot (namely the air of the level gauge in the

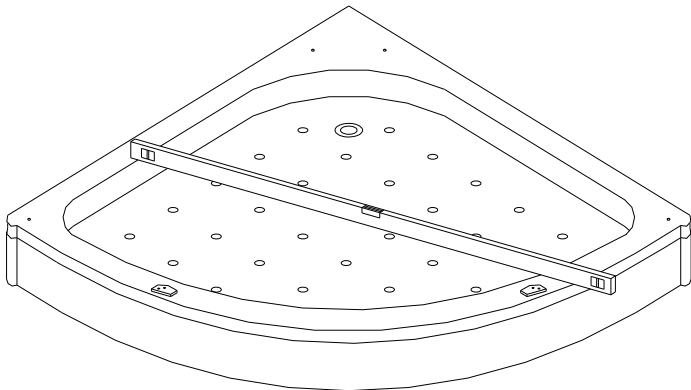


fig.3

center), then tighten the locknut. This step is very important, if the basin is not level, it will cause the room body slope, unstable, difficulty to install bolts and can not close the door and so on.

3、 Install the middle wall ----Use 2 sets of M10 x40 screw bolts, screw into the screw holes in the lower end of the middle wall, then plunge into the hole of the basin, use the nut to join and fasten. As fig. 4 shows:

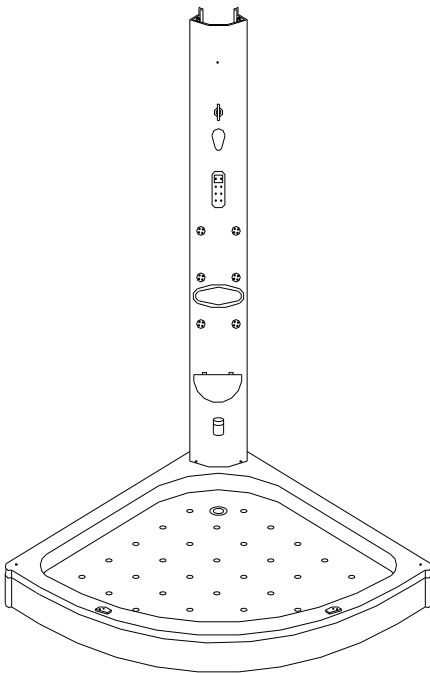


fig. 4

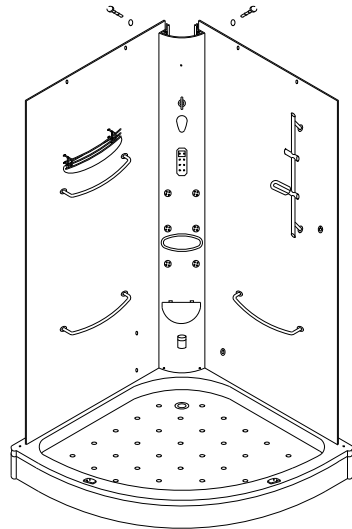



fig. 5

4、 Install both sides glass-----Install the plastic strip  to the lower end of both sides glass respectively, put it on the basin and adjust well to the holes in both sides of the middle wall, then connect the side glass with the middle wall

respectively by 4 stainless tapping screws (must use the soft gasket), as fig. 5 shows:

Note: the whole body is still very unstable at this moment, so be careful not to shake it and strike it.

The 4th step can be exchanged with the 5th step.

The accessories on the middle wall and glass can be installed at the end.

5. Install the fore pillar , top cover---Use the bolts to join the top cover and the fore pillar at first, then lift them to the basin, insert the fore pillar to the immobility block on the basin. Connect the top cover with the upper of each side glass by two bolts (you can put the top cover and the fore pillars to the place as fig.6 shows, use your hands to hold it, and then install the bolts as fig6 shows, then screw it tightly.)

(Because of its own gravity, the top cover may not mate the bolt hole of glass well, and you can prop up with hand to install the top cover.)

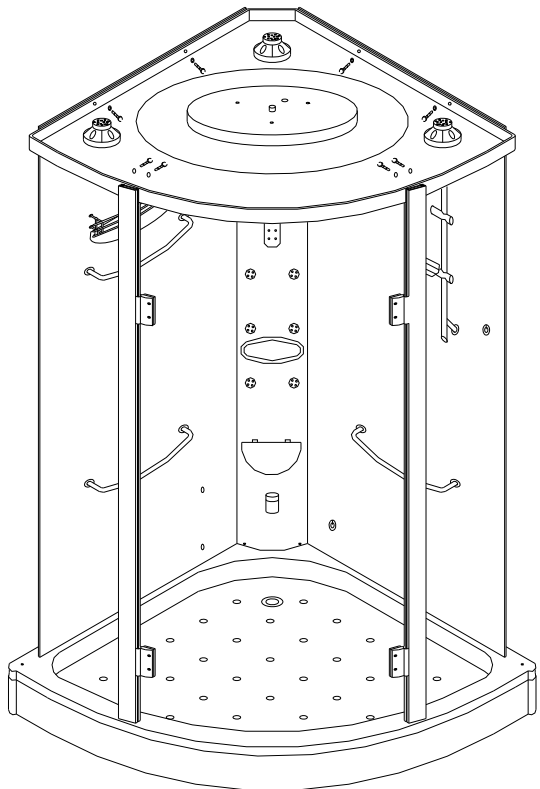


fig. 6

6. Install the fixed glass---Install plastic strip **A** to the lower end of the two fixed glass first (no left and right), place them on the basin and insert them to the fore pillars` notch, as fig. 7 shows. Then insert the corner pillars` bolt in the fixed hole in the basin according to the arrow direction in Fig. 7, and make all side glass and fixed glass inserted in the side notch of the corner pillar, use one ST4×20 tapping screw to connect the corner pillar with the top cover.

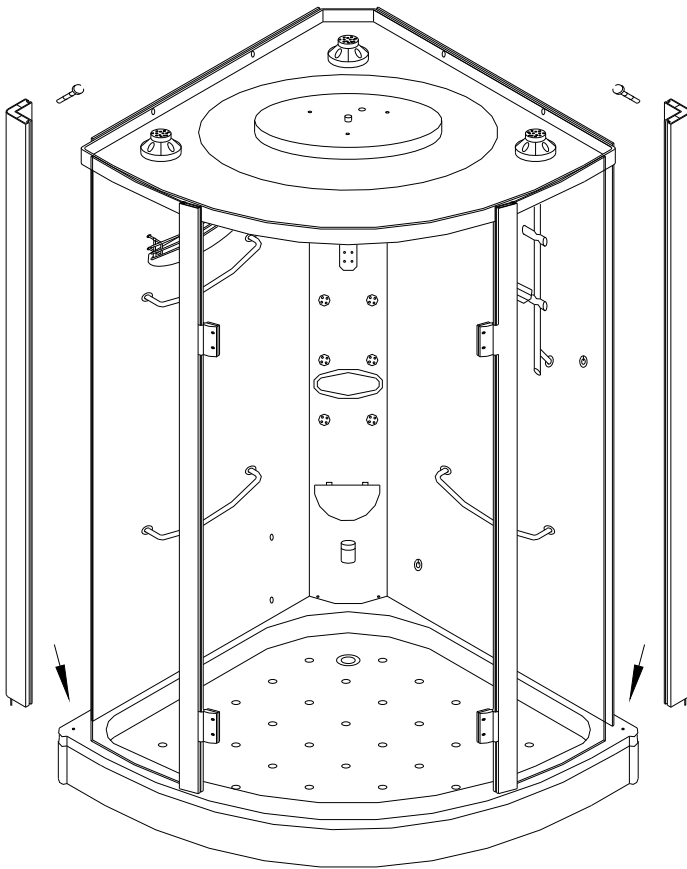



Fig. 7

7、 Install the revolvable glass-----Install the left and the right revolvable glass at the hinges of the fore pillar respectively, install handles, magnetic strip, plastic strip of the door etc, then regulate the gap between the glass and the hinge, the vertical degree and the torsion, the position between the fore pillars and the top cover, make its door closed well. (you can dismantle the fore pillars and install it on the revolvable glasses ,install the handles on the glass ,at one side of the handle of the glass please

install magnet strip : ,

below it install the waterproof

 or ,

at the side of the hinge please install a kind of the waterproof plastic

strip  or  or ,

after installed these, then install them as a whole to the steam room). As fig8 shows.

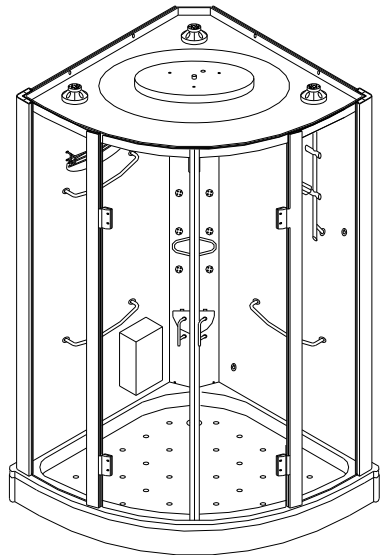
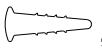


fig.8

8、 Fill all connect gap between the glass and the aluminium notch with the unilateral plastic strip , and compress tightly.

9、 Join the water pipe-----Please join the water pipe according to the waterway picture. As Fig10 shows.

Four water pipe of the dividing water valve can exchange,

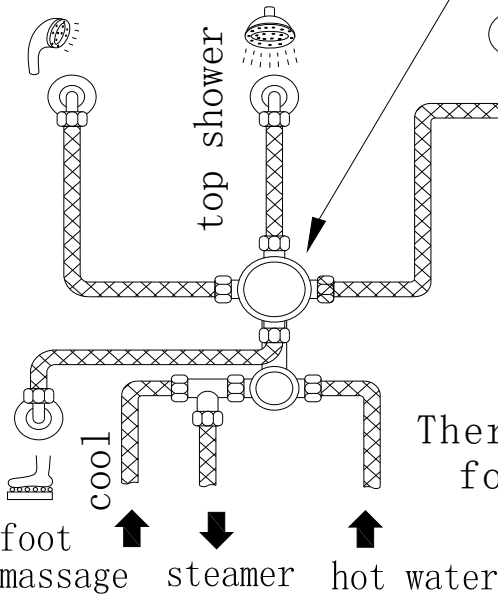
namely each water pipe can connect to any connecting of the valve. Revolve the knob to certain angle and arrive a certain position, one of the pipes will put through water. Cold water pipe and steam generator pipe can be exchanged too.

The waterway joining :

dividing valve operation

knob is a certain position, water a corresponding pipe

hand shower



There must be gasket for connector

fig.10

10、 The circuit joining---you can connect the electric wire according to the identification on various kinds of electric wires' connector.

After inserting the plug, press rubber button of plug to electrify.

11、 using the glass silicone sealant to seal: Put the glass silicone sealant on all connection gaps, especially the joint of the room body and the basin, so as not to leak water, steam. Before the glass dried, don't touch and move the room body.

THREE Regular maintenance

- 1、 Please keep the bottom basin clean, unscrew the cover of the outlet of the drainer regularly, clear up the hair and filth, in case the drainage pipeline be jammed.
- 2、 Can scrub with liquid detergent and soft cloth while cleaning. Must not use the chemicals such as the strong acid or the alkali etc., otherwise will damage the room body surface. Electroplate parts such as Spray nozzle do not remain the detergent, otherwise the surface will present the green spots.
- 3、 Bottom basin surface will produce scale, scrub it with the soft cloth using a little citric acid or alcohol added some water.
- 4、 Can't bring metal pieces such as screw into the room body, these hard articles will injure the surface of the basin.
- 5、 If the room body surface have slight scotch or cigarette burn, polish with waterproof abrasive paper No. 1200 first, then use No. 2000 waterproof abrasive paper to polish carefully, finally use polishing lotion (automobile polishing wax or toothpaste) and the soft cloth to polish, resume surface smooth. But can't polish the bottom of basin.
- 6、 If find out some foreign matter on the wall and the pillars, must not brush with the razor blade or the metal brush, you can scrub with the soft cloth added the sanitizer.

250 water and power sketch map

1040x1040x2150

